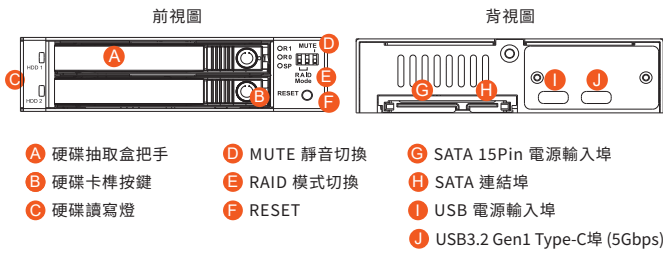


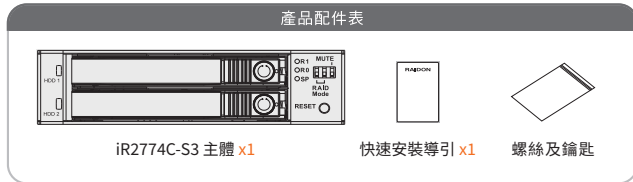
RAIDON

iR2774C-S3 快速安裝導引

產品示意圖與配件表



打開包裝外盒後，包裝內容包含下列組件：



- 請先確認相關配件與產品本身是否有受損或是缺少配件，若有任何疑問，請與您的經銷商或業務人員聯絡。
- 請前往官網 (www.raidon.com.tw) 下載說明書、驅動程式以及其餘相關資源。



v1.0 (JAN. 2023)

1

燈號說明

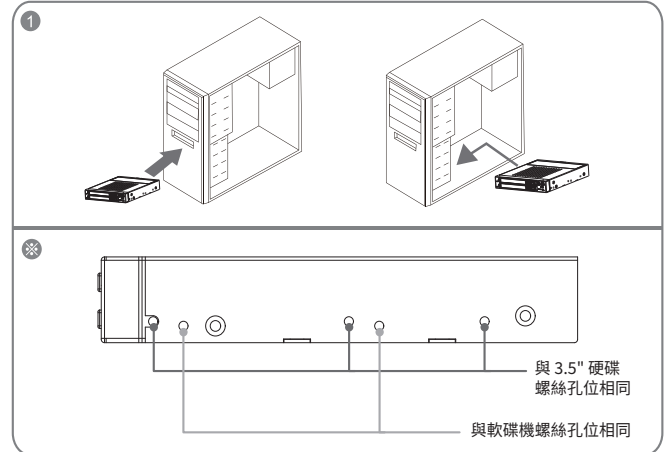
狀態	硬碟狀態燈	
	RAID 0/JBOD/SPAN	RAID 1
無硬碟	紅燈恆亮	紅燈恆亮
硬碟閒置	藍燈恆亮	藍燈恆亮
資料存取	藍燈閃爍	藍燈閃爍
資料重建 - 來源碟	N/A	藍燈閃爍
資料重建 - 目標碟	N/A	藍紫燈閃爍

硬體安裝

請參照下列步驟，完成 iR2774C-S3 的硬體安裝：

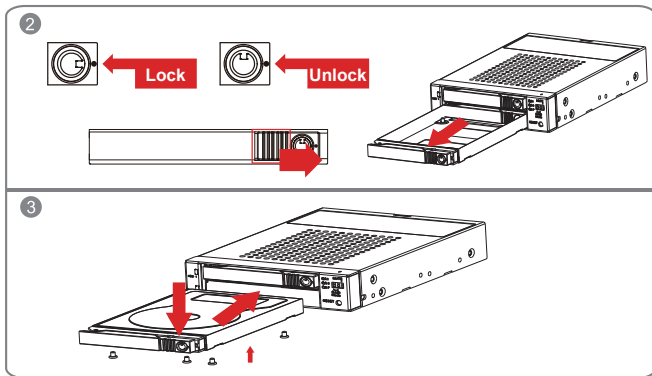
- 將主體裝置在機殼上，連接相關連接線，並確認固定螺絲是否鎖上。

※ 螺絲孔位說明



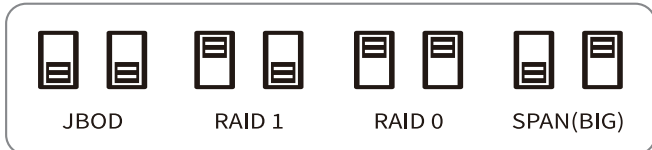
2

- 使用配件內附的鑰匙解鎖硬碟抽取盒鎖後，將頂出按鈕向右推移，硬碟抽取盒把手會彈開，即可取出抽取盒。
- 在抽取盒上安裝 2.5 吋硬碟，請使用 4 顆零件包內附的小顆螺絲加以固定；再將抽取盒裝回 iR2774C-S3。



- 硬體安裝完成。您可開啟電源進行相關設定與應用。
- 你的作業系統將會自行辨識硬體，辨識成功後請先完成硬碟格式化，完成後即可使用。

RAID 模式切換設定



Buzzer 切換設定



注意：要切換RAID MODE時，需先切換至JBOD才能進行RAID MODE切換
 切換RAID MODE：電源需關閉，再用頂針壓住RESET按鈕，再開啟電源，待壓住約五秒時會聽到Buzzer會有Bi一聲且HDD LED閃爍即為設定完成，即可放開頂針。

3

產品使用注意事項

- 若想得到較佳的使用效能與選購硬碟的便利性，建議使用規格及廠牌相同的 2.5 吋硬碟。若 RAID 1 模式下，當其中有任何一顆硬碟毀損時，新更換的硬碟容量需大於或等於原硬碟容量。
- 請確保使用的硬碟是不含壞軌的，以避免當其中一顆硬碟發生故障時，可能導致系統當機或所有資料遺失。
- 強烈建議使用 iR2774C-S3 前先設定好 RAID 模式 (預設值是 JBOD)。使用後，若需再重新設定，請先將資料備份至其他硬碟，否則將會造成硬碟內的資料損毀。
- 在新增或變更 RAID 模式後需重新啟動，以確保完成更新為新的 RAID 模式。
- 強烈建議除了使用 iR2774C-S3 的資料儲存功能外，請針對重要資料備份到另一個儲存裝置上或遠端備份，雙重備份您重要的資料。若您儲存在 iR2774C-S3 的資料損毀或遺失，RAIDON 將不負任何的責任。

感謝您使用 銳銜科技股份有限公司 的產品。

本手冊裡的資訊在出版前雖然已經被詳細確認，但實際產品規格將以出貨時為準；任何的產品規格或相關資訊更新，請您直接上 www.RAIDON.com.tw 網站查詢，或直接與您的業務聯絡窗口聯繫，本公司將不另行通知。

如果您對 銳銜科技 的產品有任何疑問，或是想獲得最新產品訊息、使用手冊或軟體，請您聯絡 supporting@raidon.com.tw，我們將儘速回覆您。

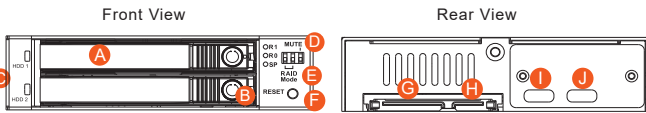
RAIDON 為 銳銜科技股份有限公司 旗下品牌之一
 本說明相關產品內容歸 銳銜科技股份有限公司 版權所有

4

RAIDON

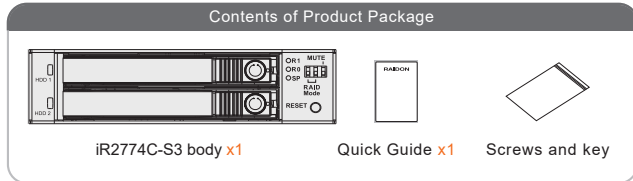
iR2774C-S3 Quick Installation Guide

Product Diagrams and Contents of Product Package



- A** HDD/SSD Tray & Tray Handle
- B** Tray Key Lock & Push Open Button
- C** HDD / SSD Access LED
- D** Mute Switch
- E** RAID Switch
- F** RESET
- G** 15 PIN Power Connector
- H** SATA Port
- I** USB Type-C for Power Input
- J** USB3.2 Gen1 Type-C埠 (5Gbps)

After you open the outer package, make sure that the following items are contained in the package:



- Please check the product and accessories for any defect or missing parts. If you have any questions, please contact your product supplier.
- Please visit the official website (www.raidon.com.tw) to download user manuals, drivers and other related resources.



v1.0 (JAN. 2023)

1

LED Instruction

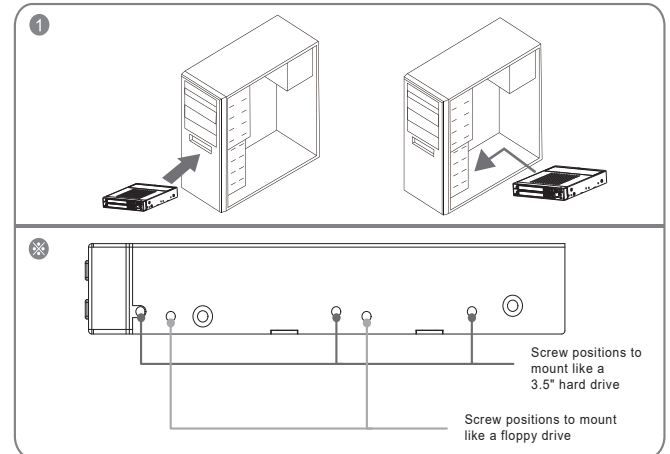
Status	HDD Status Light	
	RAID 0/JBOD/SPAN	RAID 1
No HDD detected	Red light always on	Red light always on
HDD idle	Blue light always on	Blue light always on
Data access	Blue light flashing	Blue light flashing
Rebuilding- Source	N/A	Blue light flashing
Rebuilding- Target	N/A	Blue and Purple light flashing

Hardware Installation

Please install iR2774C-S3 as the following instruction.

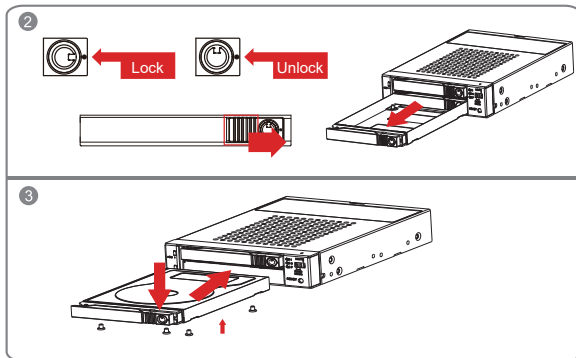
1. Install the product unit into the computer chassis and make the necessary connections and mount the product unit properly and securely to the bay position desired.

※ Mounting Positions



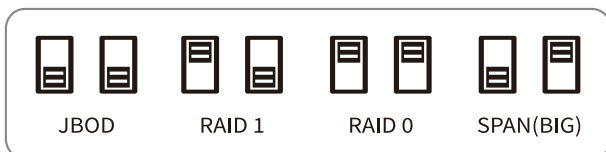
2

2. After unlocking the HDD tray key lock with the key attached to the accessory, push the HDD tray ejection to the right and the removable drive tray will pop open to remove the removable tray.
3. For 2.5" HDD/SSD, please secure it by use four the smaller screws included in the accessory kit. and re-insert the removable tray when completed.



4. When hardware installation is completed, you can turn on the power of the main unit to proceed with relevant settings and applications.
5. Installation completed. Your operating system should automatically detect the hard drives within. Please proceed to format the drives. Once formatting is completed, you may then start to operate the device.

RAID Mode setting



Buzzer setting



3

Note:

1. If you want to change the RAID mode, change to JBOD mode first then change to the RAID mode you want to use.
2. How to change the RAID mode:
Turn the power off and then press the RESET button when power on. After about 5 seconds, when the Buzzer beeps and the HDD LED flash, you can release the button and the RAID mode changed complete.

Precautions Before Application

1. We suggest you using 2 brand new 2.5-inch SATA hard drives with the same brand and model number for the best performance. When any one of the hard drives is failed, please ensure that the capacity of the new hard drive is the same or bigger than the original one.
2. Please ensure that the hard drives are free of bad tracks before using, otherwise, it may cause system crash in turn resulting in data loss.
3. We strongly suggest you that the RAID mode should be decided before starting use iR2774C-S3(The default is JBOD). If you need to reset the RAID mode after using iR2774C-S3, please remember to backup your data on the other hard drives or the data may lose.
4. A reboot is required after adding or changing RAID mode to ensure that the update is completed to the new RAID mode.
5. We strongly recommend you to keep an extra copy at your important personal data other than stored in your iR2774C-S3 product. RAIDON will not be responsible of your data loss problem.

Thank you for choosing RAIDON's product.

The information provided in this manual was checked before publication, but the actual product specifications may have changed before shipping; Latest product specifications and updates can be found at www.RAIDON.com.tw or through your sales representative. No separate notifications will be provided by our company.

If you have any questions about RAIDON products or would like to receive the latest product information, instruction manuals, or firmware, please contact Supporting@raidon.com.tw for assistance.

RAIDON is one brand under RAIDON TECHNOLOGY, INC.
All product-related content in this manual are copyrighted by RAIDON TECHNOLOGY, INC.

4